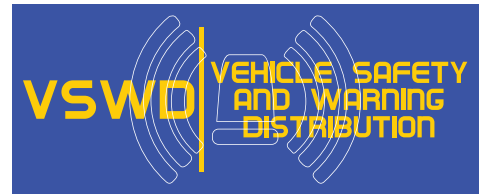
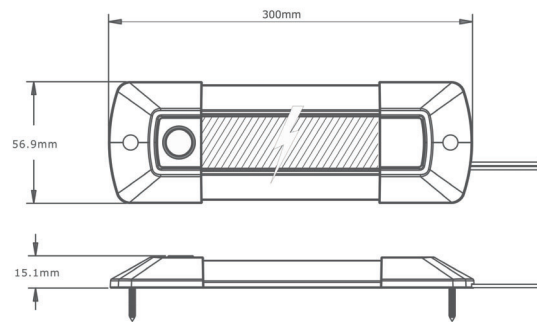


VSWD-INT300 Interior Light



R10



| Part Number | Description |
|----------------|--|
| VSWD-INT300 | INTERIOR LIGHT 300MM 54LED |
| VSWD-INT300-02 | INTERIOR LIGHT 300MM 54LED WITH SWITCH |
| VSWD-INT300-03 | INTERIOR LIGHT 300MM 54LED WITH PIR |

| | | | |
|-------------------------|-----------------|----------------------------|--|
| Lumens | 756 | Approvals | ECE R10 |
| Voltage | 10-30v | IP Rating | IP67 |
| LEDs | 54 LEDs | Colour Temp | 5700-6500K |
| Mounting | Surface Mount | Additional Features | Wires Only, Touch Switch with Dimming Function, PIR. |
| Dimensions | 300 x 57 x 15mm | Box Qty | 40 |
| Housing Material | Aluminium | Lens Material | Polycarbonate |